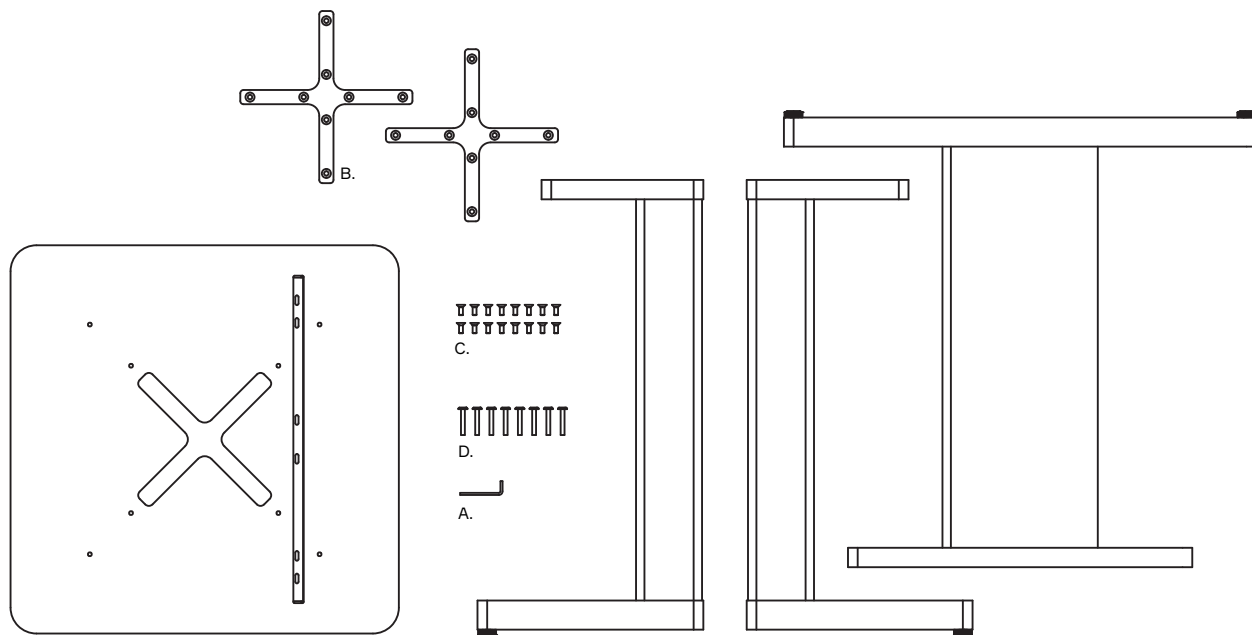


# QUATREFOIL TABLE 68X68

Assembly guide

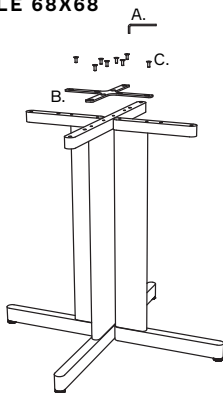


## COMPONENTS

Place the components on a blanket to avoid scratches on the floor and on the Quatrefoil table.

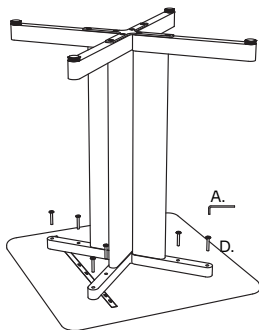
## QUATREFOIL TABLE 68X68

Assembly guide



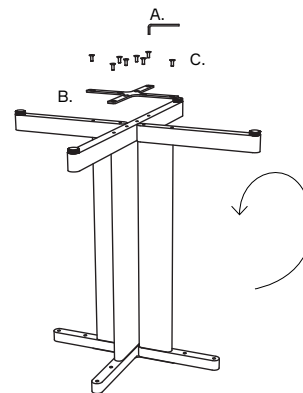
### STEP 1

Place the three leg components close together like shown. Mount the bracket (B.) using 8 psc. of the short screws (C.) and the allen key (A.). Do not overtighten the screws.



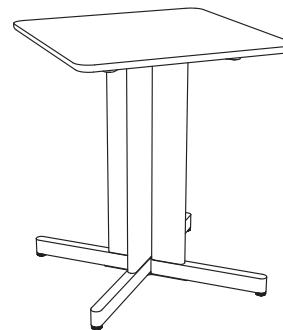
### STEP 3

Place the assembled base on the tabletop and mount the six long screws (D.).



### STEP 2

Carefully turn around the base keeping the three components together. Mount the bracket (B.) using 8 of the short screws (C.) and the allen key (A.). Do not overtighten the screws.



### STEP 4

Two persons turn around the table and the job are done.  
NOTE: after a few weeks check if the screws need to be tightened.