

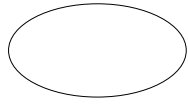
Frame

The Frame consists of two pieces of acrylic glass, four lists made of either untreated wood or aluminium, and a rubber band. The rubber band not only holds the frame together but also serves to hang the frame on your wall.

Our frames fit a wide range of motifs; from pressed flowers to thin pieces of paper. Nonetheless, it can happen that the acrylic glass is affected by variations in temperature and humidity, causing your motif to slide or move in the frame.

If this happens you can either try to flip the two sheets of acrylic glass so outside becomes inside or you can fix your motif either using an acid-free glue or a piece of tape. You can also make your motif thicker by eg. placing an additional piece of paper behind it.

Frame



x1



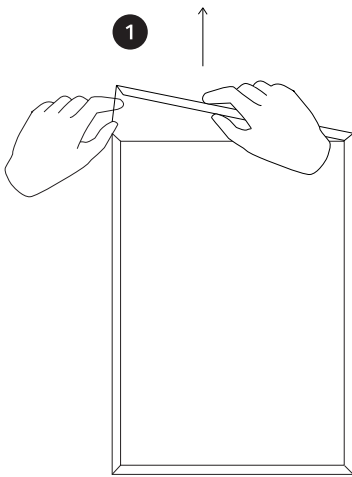
x1



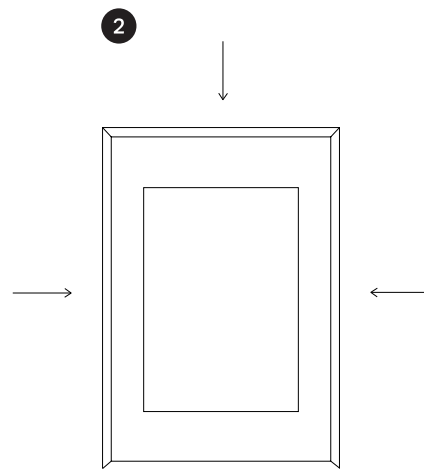
x2



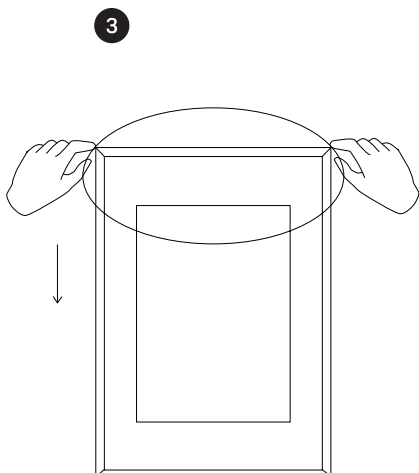
x2



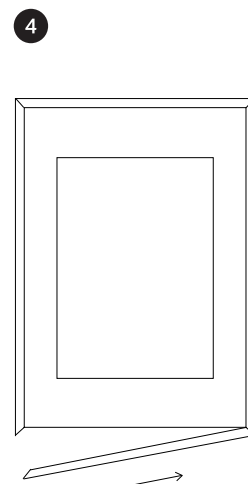
To open the Frame, pull one of the corners apart and remove the rubberband.



Place the artwork between the two glasses and add three lists to the glass.



Pull the rubber band around the lists.



Insert the last list to complete the frame.