

# Sector Shelf & Desk









---

# Sector Shelf & Desk

A new and modern take on mid-century shelving units, Sector is defined by its sturdy simplicity and classic combination of wood and brass. Choose between natural oak veneer or black stained ash veneer with brackets of either polished or blackened brass.

The Sector Shelves can be used as a standalone shelf, or combined to form one larger shelving unit. Use them to display books and favourite objects in the office or living room, or for open storage in the kitchen. The shelving system is available in two sizes and is attached to the wall by the solid wood uprights with visible brass or black screws.

The Sector Desk can likewise be used as a standalone surface or combined with the Sector Shelves of your choice to form one integrated and cohesive workspace. A short border at the end of the desk forms a small, narrow space that's ideal for propping up hand-written notes or a favourite photograph.

## PRODUCT DETAILS

<b>Product type:</b>	For domestic use. For contract use, please contact ferm LIVING sales
<b>Origin:</b>	Poland and India
<b>Construction:</b>	Shelf: Natural oak / black stained ash veneer with MDF core Profiles: Natural solid oak / black stained solid ash Brackets: Brass or black brass with matte polish  ferm LIVING is determined to ensure a shelving system that will last for several years, without compromising its appearance.
<b>Info:</b>	Screws and rawlplugs for wall mounting included. Registered design

**Assembly:** The shelving system contains the following parts:

- Shelf / shelves
- Profiles
- Brackets
- Screws and rawlplugs
- Hanging rod (only Rack Shelf)
- Assembly manual

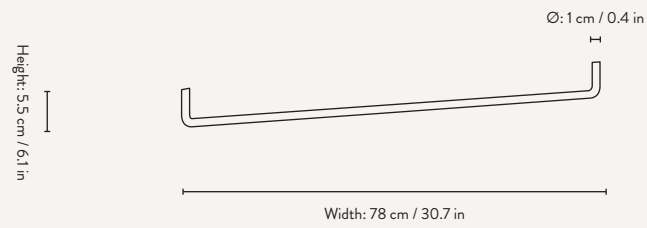
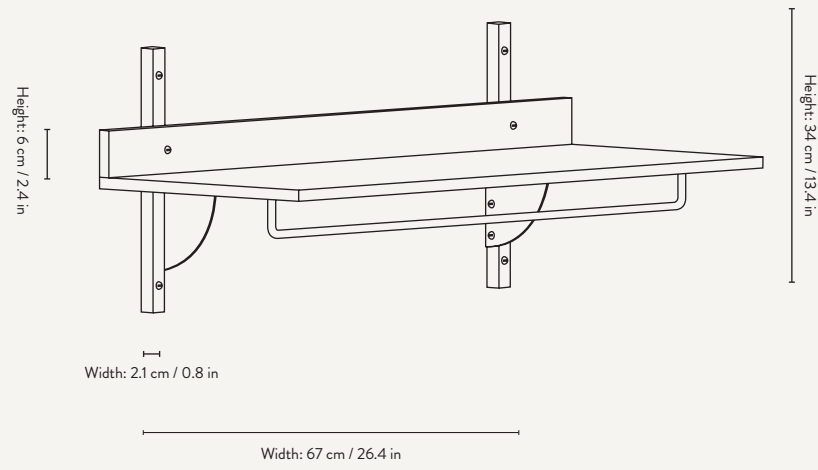
### Step-by-step:

1. Start by mounting the brackets to each shelf. Two brackets per shelf and two short screws for each bracket.
2. Place the two profiles on a stable surface, like the floor or a solid table. The sides with the large holes should turn upwards. Start by attaching the upper shelf to the profiles and end with the lower shelf. Use the same short screws as before. Two screws for each bracket.
3. Find a position for the shelf and hold it against the wall. Make sure that it is level. Stick a screw through the holes to mark the drill holes on the wall.
4. Remove the shelf/desk from the wall. Drill the holes and insert rawlplugs. Attach the shelf/desk to the wall using the long screws.

## CARE AND CLEANING

**Care instructions:** Clean with a damp cloth tightly wrung out in clean water. Then polish with a soft, dry cloth. Use a mild solution of universal cleaning agent

# Rack Shelf





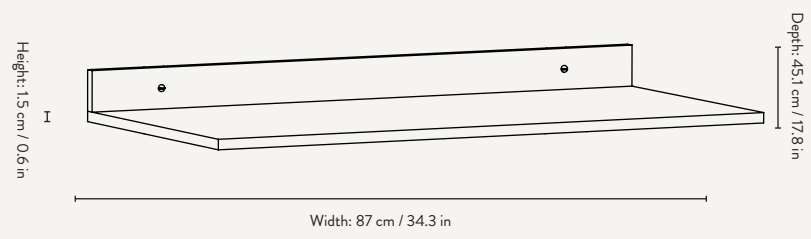
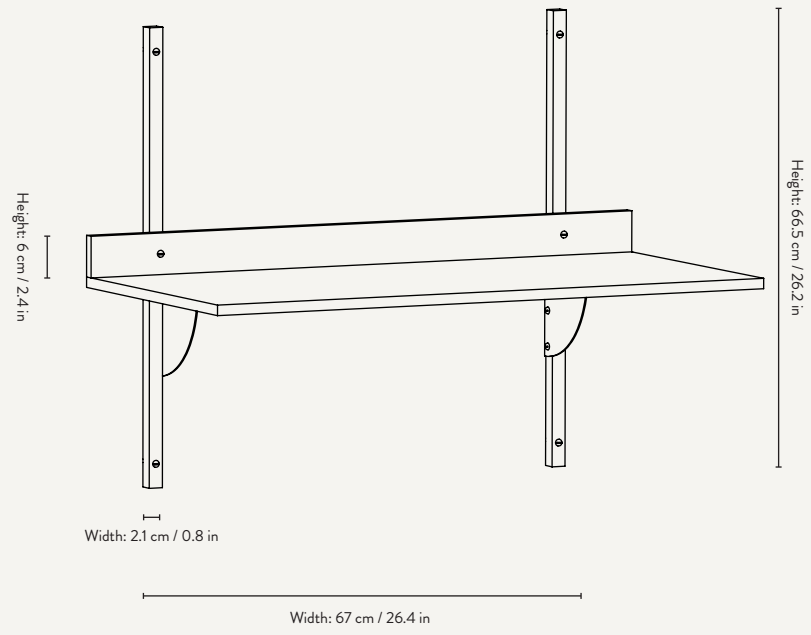








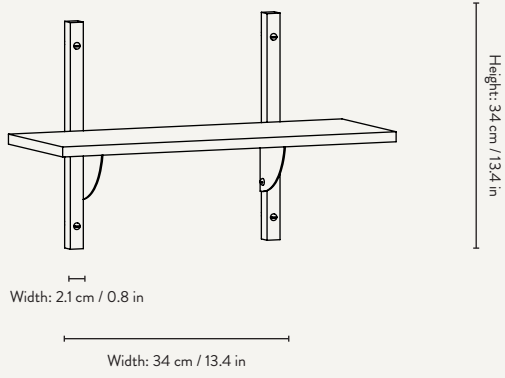
# Desk



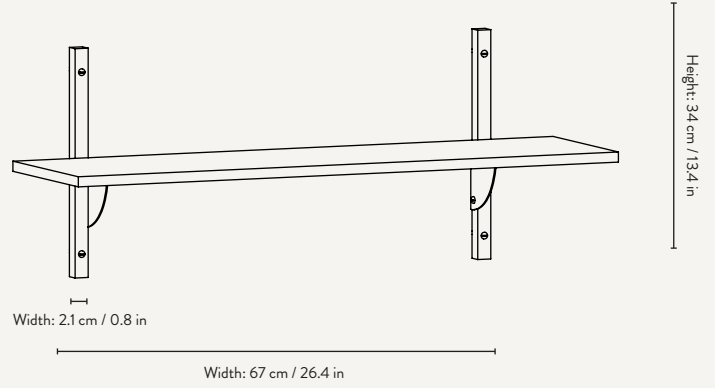


# Shelf

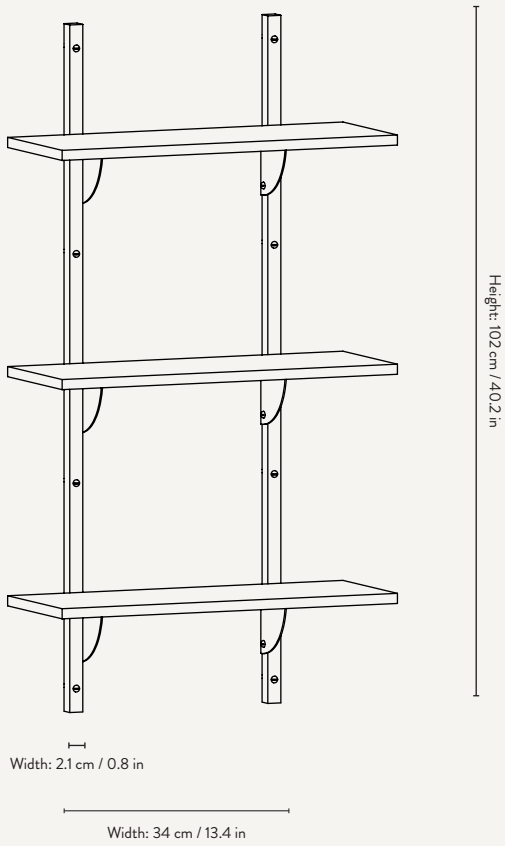
SINGLE NARROW



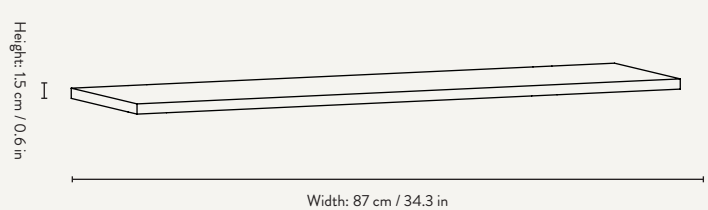
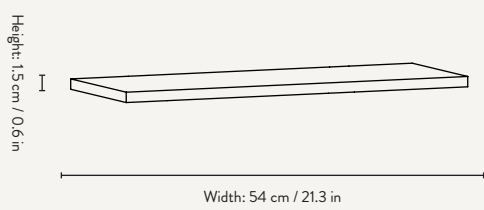
SINGLE WIDE



TRIPLE NARROW



TRIPLE WIDE



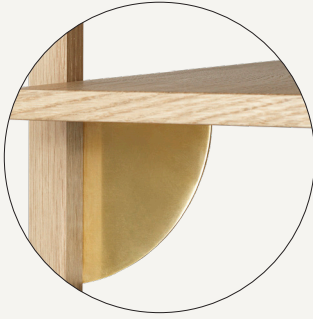






# Brackets

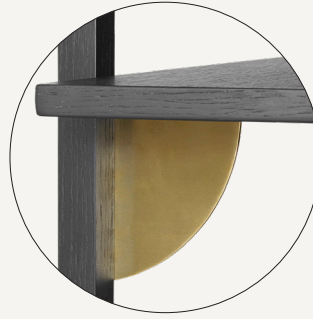
BRASS BRACKETS  
& NATURAL OAK



BLACK BRASS BRACKETS  
& NATURAL OAK



BRASS BRACKETS  
& BLACK ASH



BLACK BRASS BRACKETS  
& BLACK ASH



NEW



1104265324  
Black Ash /  
Black Brass



1104265323  
Black Ash / Brass



1104265322  
Oak / Black Brass



1104265321  
Oak / Brass



1104263249  
Black Ash /  
Black Brass



1104263248  
Black Ash / Brass



1104263247  
Oak / Black Brass



1104263246  
Oak / Brass



## SECTOR RACK SHELF

**Size:** H: 34 x W: 87 x D: 37 cm  
H: 13.4 x W: 34.4 x D: 14.6 in

**Material:** Shelf: Natural oak or black stained ash veneer with MDF core. Profiles: Natural or black stained solid oak.  
Rod and brackets: Brass or black brass

**Care:** Wipe with a damp cloth. Do not leave the surface wet. Brackets: This is a delicate surface. Please handle with care. Brass: Polish when needed. Solid brass is a natural material and will patinate over time.

**Info:** The shelf can hold up to 20 kg, provided it has been properly mounted onto an appropriate wall. The included rawplugs can only be used for brick or concrete walls.  
Registered design

**Country:** Wooden parts: Poland. Brackets and rod: India

**Net. weight:** 1.5 kg

**Packsizes:** 1

## SECTOR DESK

**Size:** H: 66.5 x W: 87 x D: 45.1 cm  
H: 26.2 x W: 34.3 x D: 17.8 in

**Material:** Shelf: Natural oak or black stained ash veneer with MDF core. Profiles: Natural solid oak or black stained solid ash.  
Brackets: Brass or black brass

**Care:** Wipe with a damp cloth. Do not leave the surface wet. Brackets: This is a delicate surface. Please handle with care. Brass: Polish when needed. Solid brass is a natural material and will patinate over time.

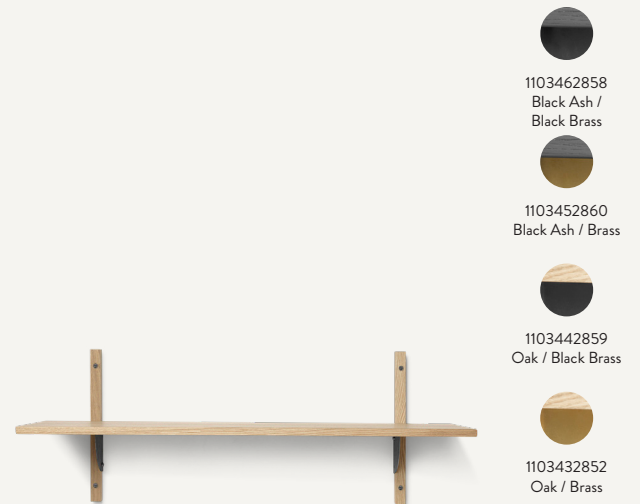
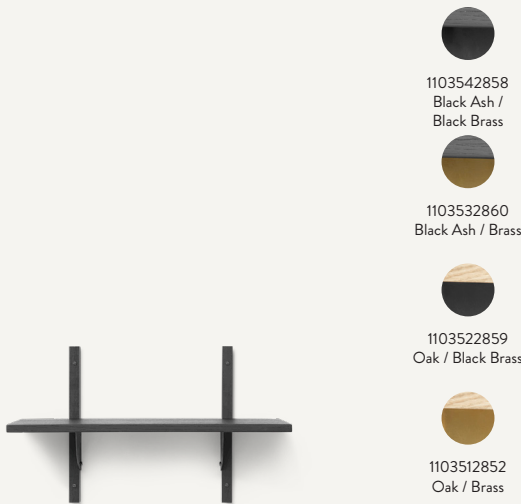
**Info:** The desk can hold up to 20 kg, provided it has been properly mounted onto an appropriate wall. The included rawplugs can only be used for brick or concrete walls. Registered design

**Country:** Wooden parts: Poland. Brackets: India

**Net. weight:** 5.5 kg

**Packsizes:** 1





### SECTOR SINGLE - NARROW

**Size:** H: 34 x W: 54 x D: 22.1 cm  
H: 13.4 x W: 21.3 x D: 8.7 in

**Material:** Shelf: Natural oak or black stained ash veneer with MDF core. Profiles: Natural solid oak or black stained solid ash.  
Brackets: Brass or black brass

**Care:** Wipe with a damp cloth. Do not leave the surface wet. Brackets: This is a delicate surface. Please handle with care. Brass: Polish when needed. Solid brass is a natural material and will patinate over time.

**Info:** The shelf can hold up to 20 kg, provided it has been properly mounted onto an appropriate wall. The included rawlplugs can only be used for brick or concrete walls. Registered design

**Country:** Wooden parts: Poland. Brackets: India

**Net. weight:** 1.5 kg

**Packsizes:** 1

### SECTOR SINGLE - WIDE

**Size:** H: 34 x W: 87 x D: 26.1 cm  
H: 13.4 x W: 34.3 x D: 10.3 in

**Material:** Shelf: Natural oak or black stained ash veneer with MDF core. Profiles: Natural solid oak or black stained solid ash.  
Brackets: Brass or black brass

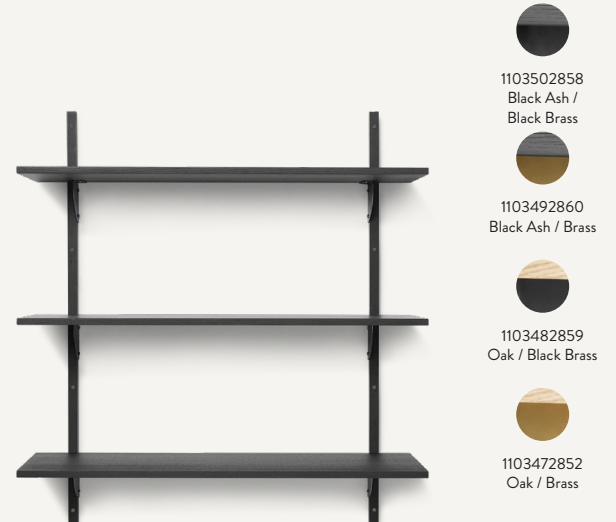
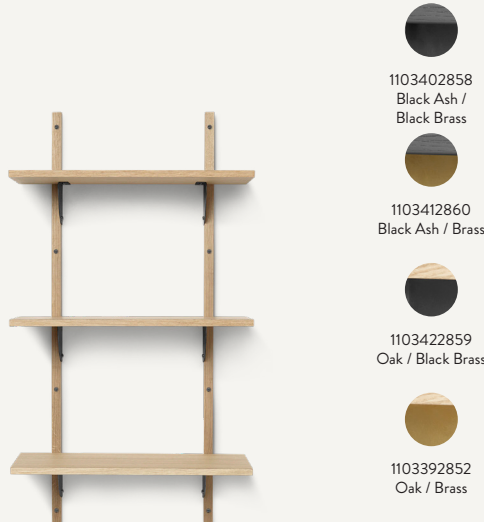
**Care:** Wipe with a damp cloth. Do not leave the surface wet. Brackets: This is a delicate surface. Please handle with care. Brass: Polish when needed. Solid brass is a natural material and will patinate over time.

**Info:** The shelf can hold up to 20 kg, provided it has been properly mounted onto an appropriate wall. The included rawlplugs can only be used for brick or concrete walls. Registered design

**Country:** Wooden parts: Poland. Brackets: India

**Net. weight:** 2.8 kg

**Packsizes:** 1



### SECTOR TRIPLE - NARROW

**Size:** H: 102 x W: 54 x D: 22.1 cm  
H: 40.2 x W: 21.3 x D: 8.7 in

**Material:** Shelf: Natural oak or black stained ash veneer with MDF core. Profiles: Natural solid oak or black stained solid ash.  
Brackets: Brass or black brass

**Care:** Wipe with a damp cloth. Do not leave the surface wet. Brackets: This is a delicate surface. Please handle with care. Brass: Polish when needed. Solid brass is a natural material and will patinate over time.

**Info:** The shelf can hold up to 20 kg, provided it has been properly mounted onto an appropriate wall. The included rawlplugs can only be used for brick or concrete walls. Registered design

**Country:** Wooden parts: Poland. Brackets: India

**Net. weight:** 4.2 kg

**Packsizes:** 1

### SECTOR TRIPLE - WIDE

**Size:** H: 102 x W: 87 x D: 26.1 cm  
H: 40.2 x W: 34.3 x D: 10.3 in

**Material:** Shelf: Natural oak or black stained ash veneer with MDF core. Profiles: Natural solid oak or black stained solid ash.  
Brackets: Brass or black brass

**Care:** Wipe with a damp cloth. Do not leave the surface wet. Brackets: This is a delicate surface. Please handle with care. Brass: Polish when needed. Solid brass is a natural material and will patinate over time.

**Info:** The shelf can hold up to 20 kg, provided it has been properly mounted onto an appropriate wall. The included rawlplugs can only be used for brick or concrete walls. Registered design

**Country:** Wooden parts: Poland. Brackets: India

**Net. weight:** 7.8 kg

**Packsizes:** 1



Space to feel comfortably you