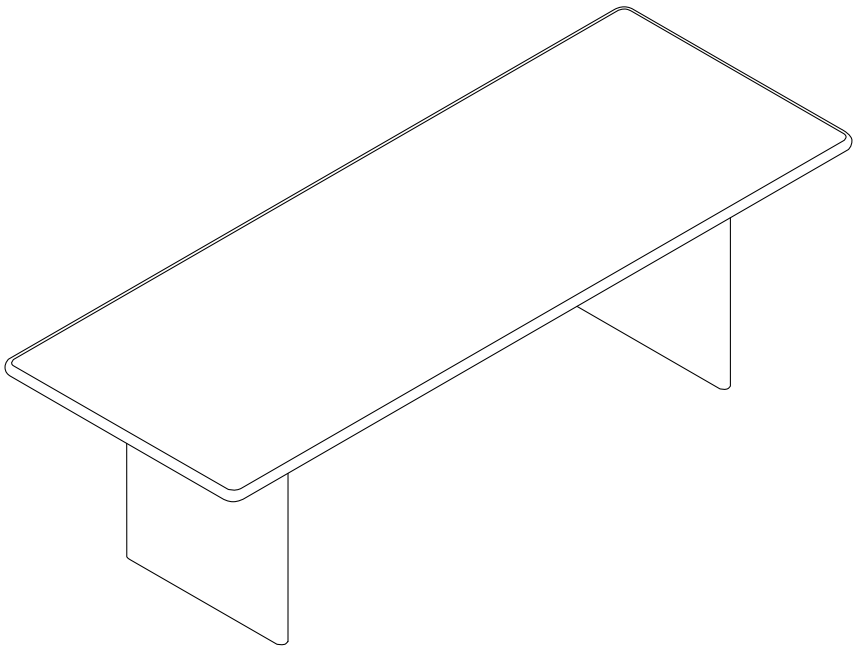


# Rink Dining Table

---

Assembly manual



**ferm**  
L I V I N G

## General Instructions

PLEASE READ BEFORE INSTALLATION

### ATTENTION:

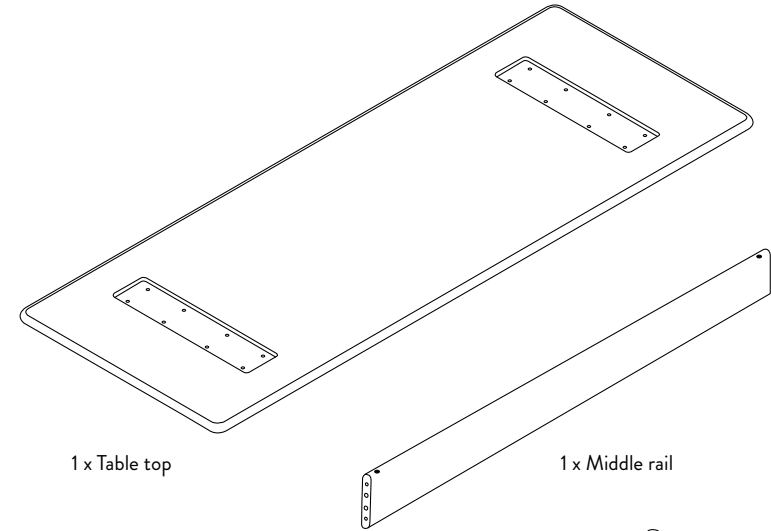
High-gloss is a sensitive surface. Do not put anything directly on the table top.  
Always use coasters or other protective items with a soft surface

## Needed Tools



Screwdriver Crosshead

## Box Content



1 x Table top

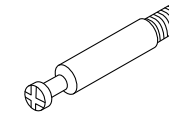
1 x Middle rail



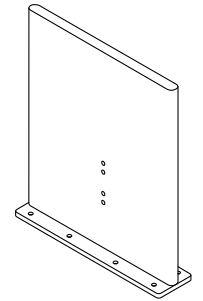
4 x Nut



16 x Screw (B)



4 x Screw (A)



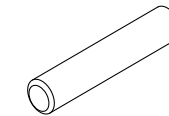
1 x Left side leg



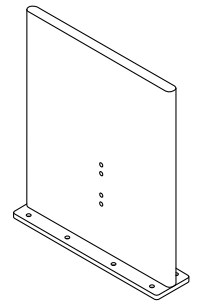
4 x Cross nut



16 x Spring washer



4 x Wood dowel



1 x Right side leg



4 x Brown pad



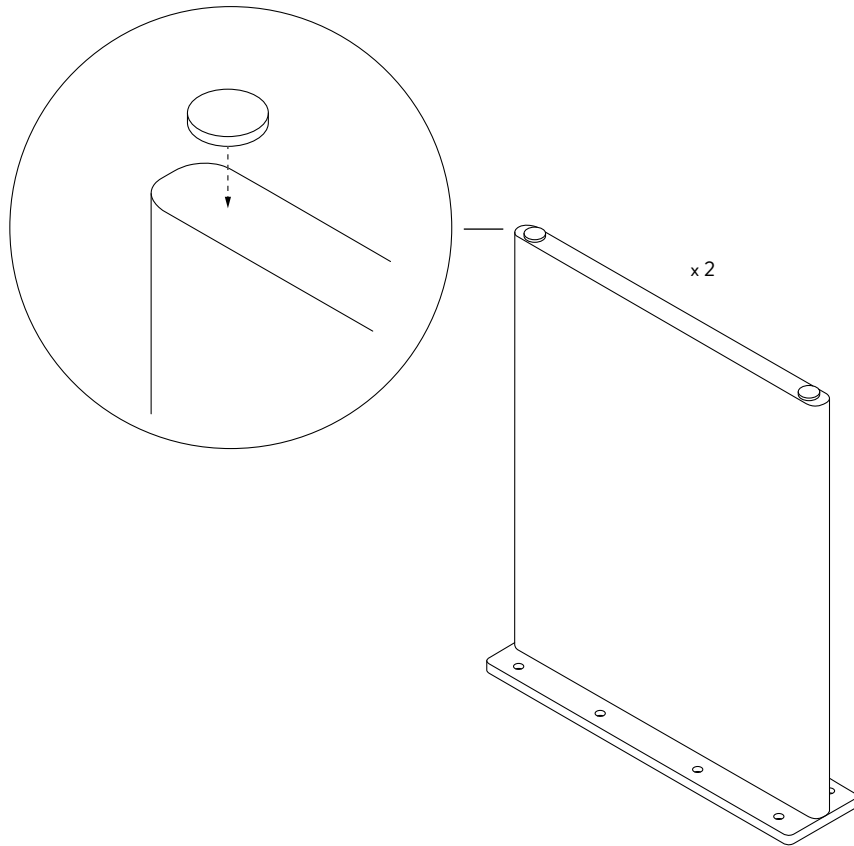
16 x Flatwasher



1 x Allen key

## Assembly Process

1

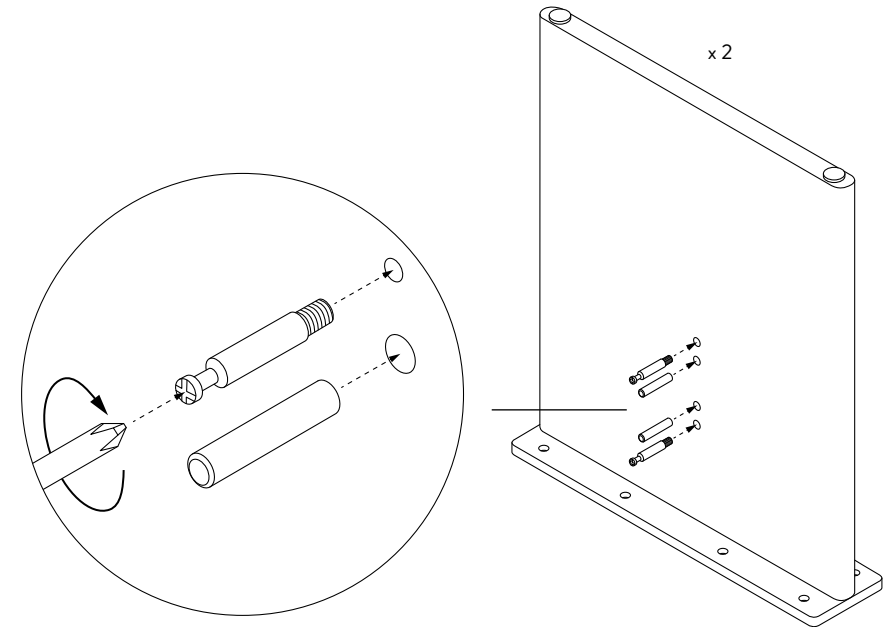


Install 2x brown pads on the bottom of each table legs.

4

## Assembly Process

2

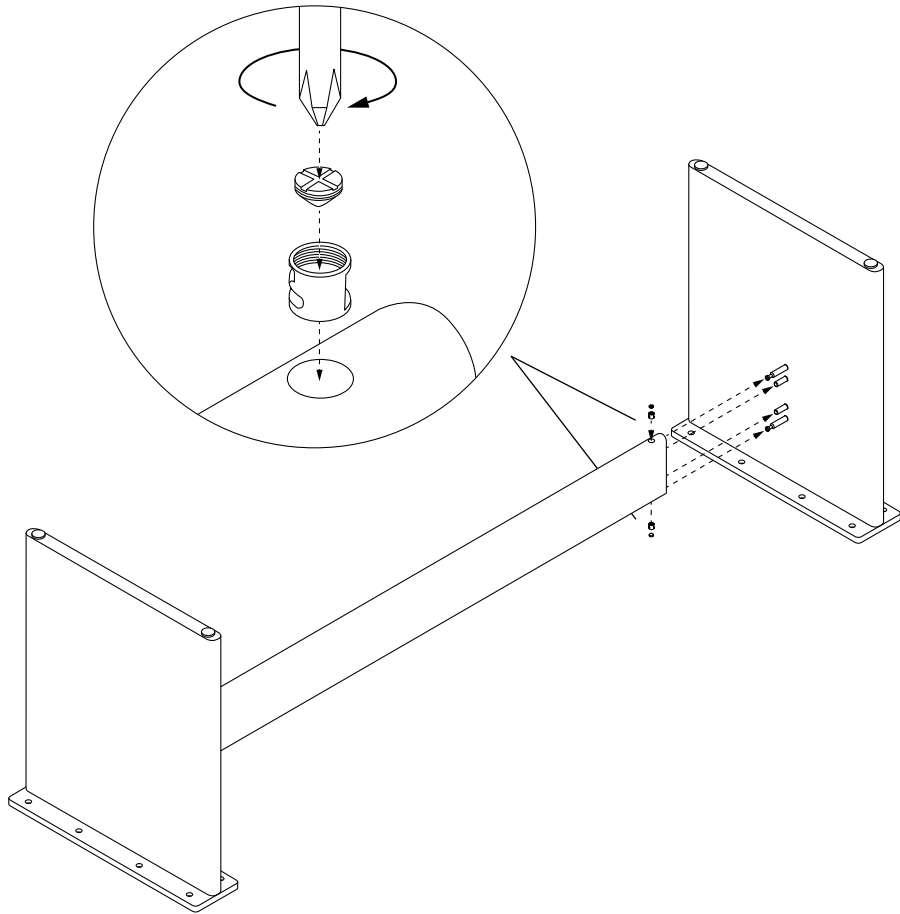


Mount 2x screws and 2x wooden dowel on the side of each table legs.

5

## Assembly Process

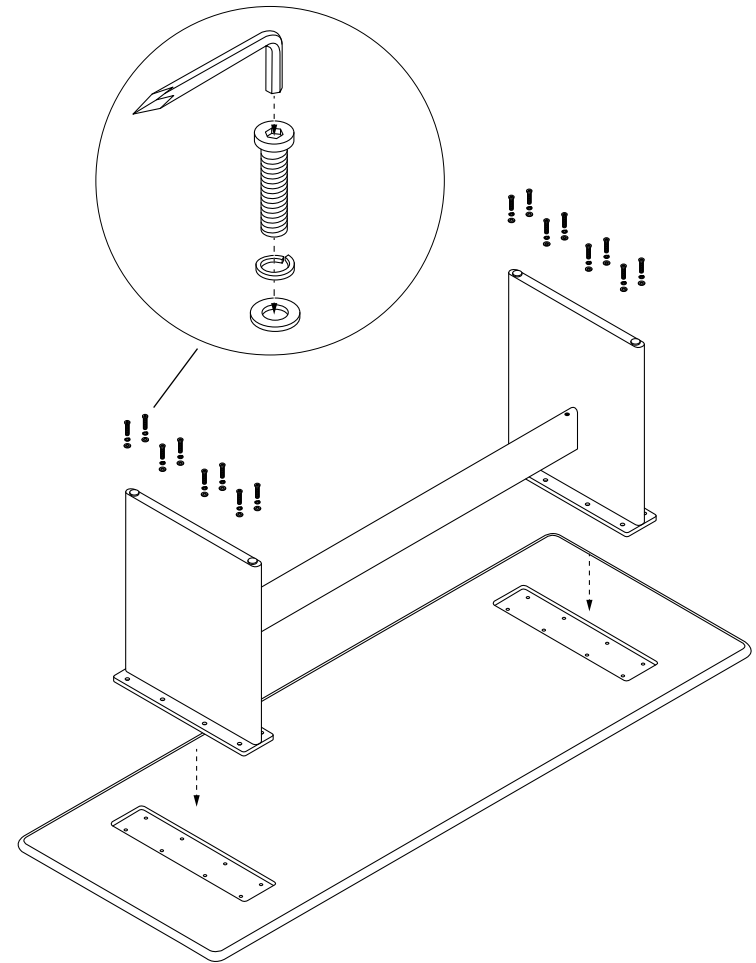
3



Mount the middle rail to each side legs and screw the 4x connector (nut and cross nut) in the rail.

## Assembly Process

4



Assembly the full leg and middle rail to the table top.  
Screw 8x screws with 1x spring washers and 1x flat washers each into the tabletop.

[fermliving.com](http://fermliving.com)