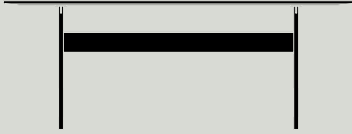


Instructions



# Pavilion AV18, AV19 & AV24

Anderssen & Voll  
2022

---

Congratulations with your new Pavilion table, designed in 2022 by Anderssen & Voll. We hope you will enjoy using this product and follow these instructions to ensure correct installation. If you have any questions or comments, please do not hesitate to contact us by mail on:

[info@andtradition.com](mailto:info@andtradition.com)

# Pavilion AV18, AV19 & AV24

## Anderssen & Voll 2022

Please read these instructions carefully and retain them for future reference to ensure the product is used correctly. For your own safety, please study each step of this instruction manual first. &Tradition is not responsible for any faults or damages caused by not following these instructions correctly. Do not modify this product in any way.

### Contents

- A - Tabletop
- B - Frame x 2
- C - Stretcher x 1
- D - Allen key x 1
- E - Bolts x 8
- F - Screws x 2

### Tools needed

- Screwdriver

### Safety precautions

- Dispose of plastic bag from packaging and do not allow children to play with it.
- The table is only intended for interior use.
- Two or more persons are needed to assemble the table.

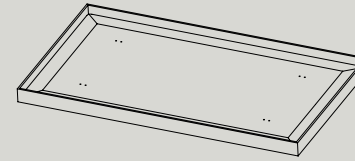
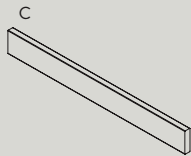
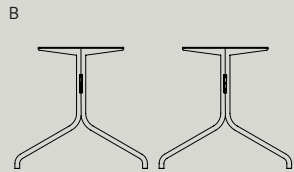
### Cleaning instructions

#### Powder coated or chromed metal

It is recommended only to use a soft dry cloth to clean powder coated or chromed surfaces but in case more severe cleaning is necessary, a soft cloth wrung in lukewarm water can be carefully applied. Always dry immediately after cleaning with a soft dry cloth. Avoid using abrasive cleaning agents as this may permanently damage the surface.

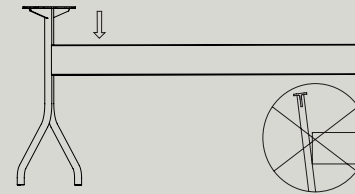
#### Lacquered wood

For daily care it is recommended to dust the furniture with a soft cloth. Lacquered wood can be cleaned with a soft cloth wrung in a mild solution of lukewarm water and a universal pH neutral cleaning detergent. Always follow the wood grains and always dry with a soft dry cloth immediately after cleaning. Avoid use of abrasive cleaning agents as this will damage the surface of the lacquered wood.



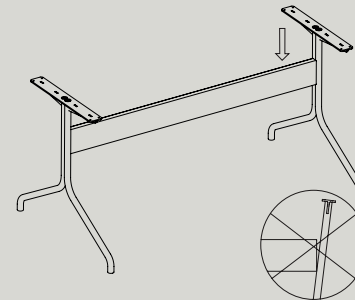
### Step 1

To avoid possible damage, please do not remove the tabletop (A) from the protective packaging before fully assembled.



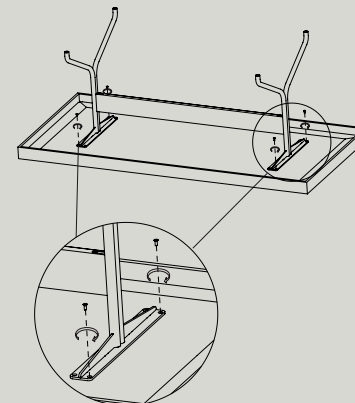
### Step 2

Carefully attach the stretcher (C) to one of the two frames (B) by gently pushing down the stretcher. Make sure the stretcher is perpendicular to the frame.



### Step 3

Carefully attach the stretcher (C) to the other frame (B) by gently pushing down the stretcher. Make sure the stretcher is perpendicular to the frame.

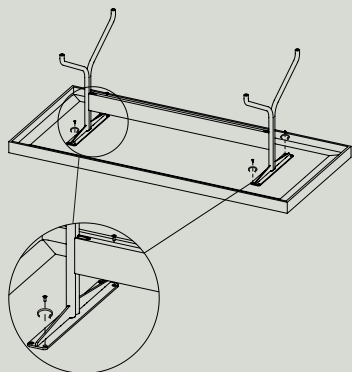


### Step 4

Flip the base upside down by holding the two frames and place on the back side of the tabletop.

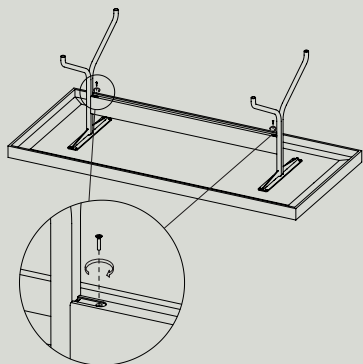
Align the two frames with the corresponding holes in the tabletop.

Place the bolts (E) in the two outer holes in each frame and fasten clockwise with the Allen key (D).



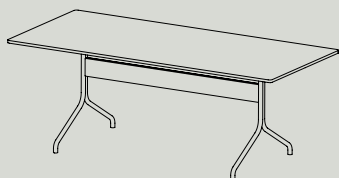
### Step 5

Place the bolts (E) in the two inner holes in each frame and fasten clockwise with the Allen key (D).



### Step 6

Mount the screws (F) in the appointed holes and fasten clockwise with a screwdriver.



### Step 7

Flip the table around and place carefully on the floor. Two or more people are needed for this.